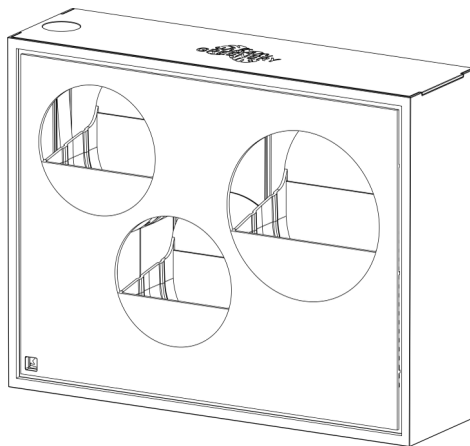


The Box

BOX.3 – Drawer version



Installation and operating instructions

English

Read carefully
before use and
installation.

MANY THANKS!

Thank you for choosing the sustainable wall greening from Urban Greenery. Below we show you how quick and easy it is to hang up your box. We also clarify important questions and give you tips for getting started with your vertical garden. **Please read these instructions carefully!**

TABLE OF CONTENTS

General safety instructions	2
Technical data	3
Scope of delivery	4
Illustration	5
Installation	6
Installation - One module	7
Planting	8
Planting guide	9
Instructions for use and care	10
Spare parts and repair	11
Disposal and recycling instructions	12

PRODUCT DESCRIPTION

“The Box“ is a module for indoor wall greening and can be extended vertically and horizontally with other modules.

GENERAL SAFETY INSTRUCTIONS

Only use the product in the manner described for the purpose described (intended use). Improper use and misuse can lead to property damage and personal injury.

Please do not use the product if it is damaged. Contact our service department if you have received damaged goods. Using a damaged product can lead to property damage.

Only suitable for use indoors and in covered and weather-protected outdoor areas. Only use components and spare parts for the product that are intended for this purpose by the manufacturer. Unsuitable components can lead to leaks and damage to property.

Before installation, please check the maximum permissible load of the walls and check them for curvatures or inclinations. Only use the wall plugs, screws and mounting rails supplied by the manufacturer. Improper installation can lead to personal injury and damage to property.

Do not install the product in the immediate vicinity of an open fire (e.g. fireplace), hot surfaces or other heat sources (e.g. heating) and avoid direct contact. Failure to observe this instruction may result in a fire hazard with personal injury and damage to property.

Do not install the product directly above or next to electrical appliances or sockets. Failure to observe this instruction may result in personal injury and damage to property.

The product must not be used as a shelf or storage unit and is not designed for additional loads.

The product may only be filled with a maximum of 0.5 litres of water. Please pay attention to the water level indicator and follow the instructions. Overfilling the tank can lead to water damage.

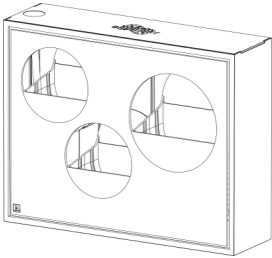
The product is not a toy. The product contains small parts, there is a choking hazard if swallowed.

TECHNICAL DATA

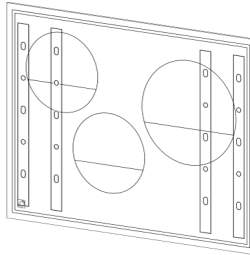
Description	The Box - BOX.3
Model	1.0
Weight	ca. 3495g (Tare weight)
Dimension (L x W x H)	450 mm x 150 mm x 350 mm

This information might be subject to change without notice.

SCOPE OF DELIVERY



A



B



C

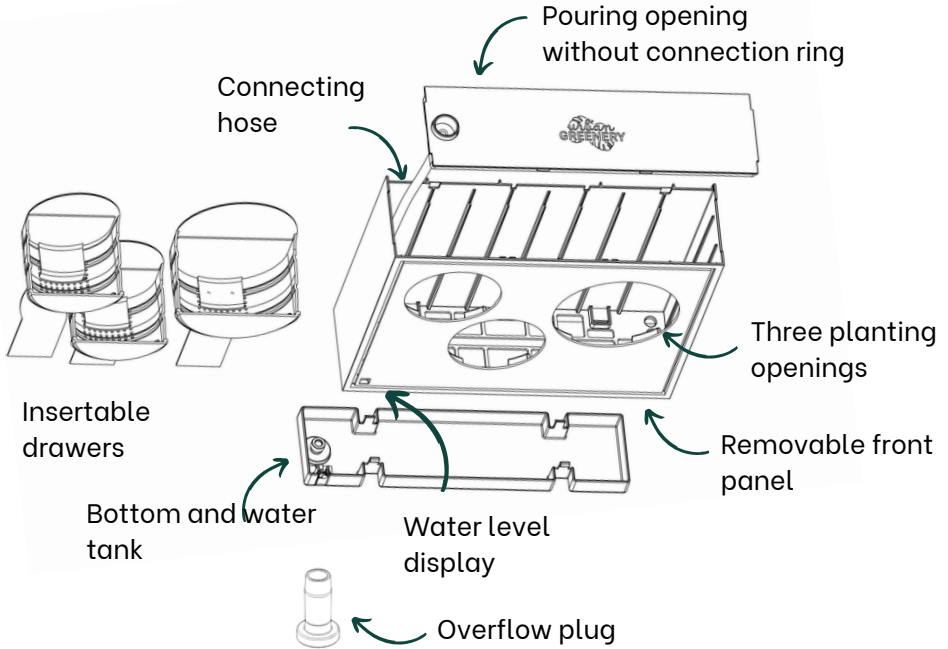


D

Code number	Name	Quantity
A	The Box.3 with drawers	1x
B	Cardboard drilling template	1x
C	Bag of premium substrate	1x
D	Connection ring	1x

ILLUSTRATION

Front view



INSTALLATION

Installing our box is simple. If you want to connect several modules together, the easiest way to do this is with the help of the drilling template and the separately available mounting sets.

Please note: The mentioned mounting set with mounting rails is not included in the scope of delivery and can be purchased via our webshop. The Box.3 can also be installed using standard hook bolts and plugs.

Attention: The supplied overflow plug is inserted from below through the opening in the tank. Only use with single boxes or the lowest modules.

EQUIPMENT REQUIRED

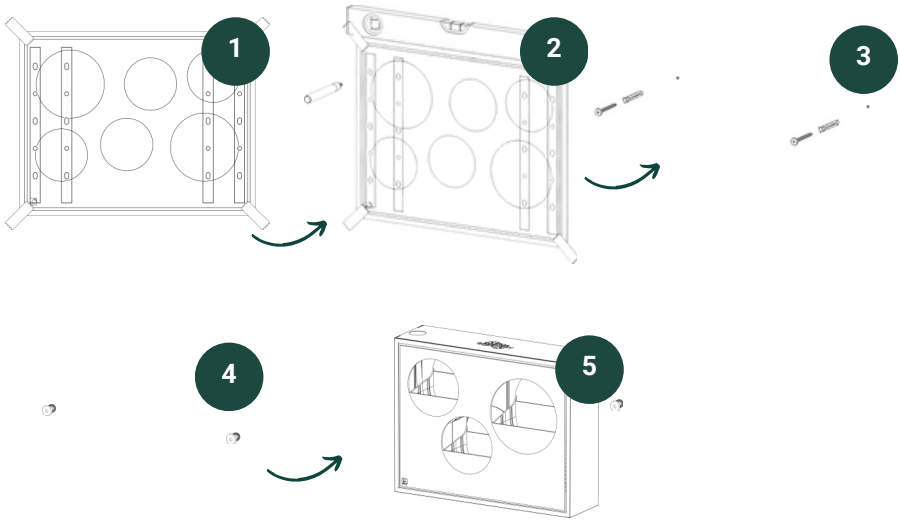
For installation, you will need a drill, a spirit level, 2 (hook) screws, dowels and, if necessary, a helping hand. The enclosed drilling template will help you with a precise installation. We recommend attaching it to the wall with adhesive strips in the desired arrangement.

For secure mounting, we recommend using hook screws with a length of 50 mm and a hook size of 4.2 mm x 10 mm, as well as wall plugs suitable for your wall.

The inserted connection ring must be used if several boxes are installed on top of each other to ensure a safe water flow.

Please carry out all installation work with appropriate care and concentration. Follow the safety instructions and instructions for use.

INSTALLATION - ONE MODULE



PLANTING




You decide which plants you want to decorate your plant wall with. We have put together the following instructions and tips to make planting as easy and successful as possible. Our planting guide can help you to create the most attractive plant wall possible. You can find plant sets tested and recommended by gardeners in our shop.

PLANTING INSTRUCTIONS

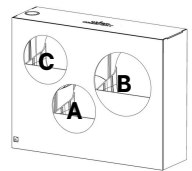
- Your box is supplied with matching premium substrate and drawers already inserted. **Tip:** *Remove the drawers and the water container in the bottom of the box before you start.*
- Take the plants out of the pots, carefully remove the excess soil and place them in the drawers. **Tip:** *The irrigation fleece must rest against the back wall of the drawer!*
- All the plants in? Great! Now fill the drawers to the brim with the substrate. Be sure to press the substrate down lightly. This will prevent your substrate from being too loose and sinking over time.
- Now carefully place the planted drawers back into the box.
- Once the plants have been successfully planted, simply click the base back into place. For the capillary water supply to work, the green flap of the irrigation fleece must be at the bottom of the water tank! Checked?
- Now hang your planted module in the mounting rails. Please check that your box is positioned straight and correctly connected to the mounting rails. Then you can water your plants directly with 0.5 liters of water.
- **Important:** For the first two weeks, water the plants directly through the planting hole, then through the watering hole in the lid.

PLANTING-GUIDE

To create a particularly attractive plant wall, we recommend planting according to a plan. To do this, we divide plants into three types, depending on their growth habit and function in the plant wall.

Typ	Beschreibung	Beispiele	Illustration
A	Climbing and twining plants, with rampant growth, hanging	Philodendron, Epipremnum aureum, silver inch plant, phlebodium	
B	Cluster-forming, spreading, distinctive growth or leaf shapes	Ferns, Green lily	
C	Eye-catcher, special features (colour, leaves, etc.)	Fittonia, Monstera 'Monkey Leaf'	

- **Type A** plants work particularly well in the lower areas of the plant wall. We also like to use them on the sides.
- **Type B** provides good coverage and can be used anywhere, but the centre and upper areas of the module are particularly suitable.
- **Type C** plants are real eye-catchers and look particularly good around the edges.



We recommend a ratio of 4:2 or 5:1 of type A and B to C.

Tip: The division of our compiled plant sets already corresponds to this ratio.

INSTRUCTIONS FOR USE AND CARE INSTRUCTIONS

Thanks to our intelligent watering system, caring for your new plant wall is very easy. The modules are supplied with water via the watering hole in the lid and the water level indicator in the front panel shows you the current fill level of the tank. Please top up the tank in good time to ensure optimum humidity - normally around three times a month, depending on the air and room conditions.

If you have installed several modules on top of each other, it is sufficient to fill the top module, as our system automatically supplies all modules. **However, make sure to monitor the water level indicator of each module to avoid overfilling.**

To fertilise your plant wall, you can add a suitable liquid fertiliser to the irrigation water. Please read the instructions for use for your liquid fertiliser. We recommend the first fertilisation at the earliest 4 weeks after planting! Please do not use slow-release fertilisers.

Tip: You can find suitable sustainable fertilisers in our shop.

In the event of pest infestation, you should replace infested plants immediately. We recommend regular leaf care and the removal of dead plant parts. If your entire substrate cushion is affected, you can simply replace it by removing the front panel without unhooking the box.

We recommend using a damp cloth to clean your module. Please refrain from using chemical cleaning agents, as these can damage the plants and the box.




SPARE PARTS AND REPAIR

Our box has been designed to last and is made from high-quality materials. However, if something should break, you can reorder all components in our spare parts shop and repair your box very easily. This is easy on your wallet and the environment. You can access our shop via our website urban-greenery.de.

DISPOSAL AND RECYCLING INSTRUCTIONS

The product consists of different components for which different disposal and recycling regulations may apply.

Please contact your local authority to find out about the applicable regulations and dispose of the individual components separately.

Component	Material	Recommendations for disposal	Recycling-Code
Module with front panel, water tank and cover	Recycled polypropylene (PP)	Recycling centre/ Recycling bin	 PP
Irrigation hose	Polyvinyl chloride (PVC)	Recycling centre/ Recycling bin	 PVC
Irrigation fleece (turquoise)	Polyethylene (PE)	Recycling centre/ Recycling bin	 PE
Substrate and plants	Organic Material	Compost or organic waste bin	-

CONTACT

Urban Greenery GmbH

Lerchenfeld 5-7
91459 Markt Erlbach

hallo@urban-greenery.de
www.urban-greenery.de

We have done our best to ensure that the instructions for use are as correct, complete and accurate as possible. Nevertheless, deviations cannot be completely ruled out, which is why we accept no liability for errors in the instructions for use provided. We accept no liability for damage caused by failure to observe the instructions for use.

The Urban Greenery team wishes you lots of
fun with your new plant wall!